

13 12 11 10 9 8 7 6 5 4 3 2 1

J

I

H

G

F

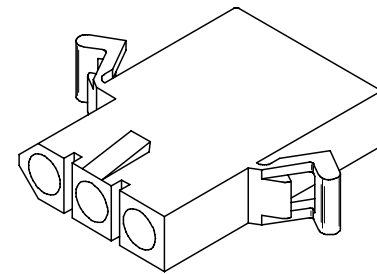
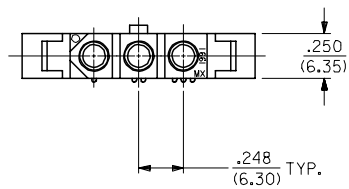
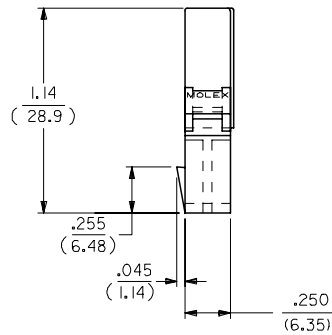
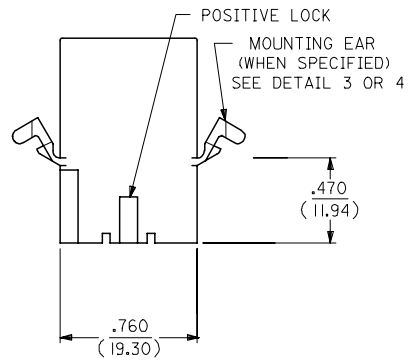
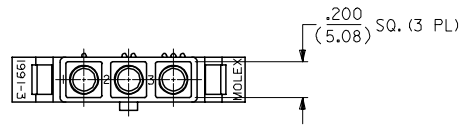
E

D

C

B

A



RECEPTACLE HOUSING

UPDATE TITLE BLOCK FC NO: UCP2007-1498 DRAWN: AELHAG 2007/04/04 CHKD: AELHAG 2007/04/04 APPR: FSM TH 2007/04/04 REV X	QUALITY SYMBOLS ▽=0 ▽=0	GENERAL TOLERANCES (UNLESS SPECIFIED)		DIMENSION STYLE IN/MM	SCALE 2:1	DESIGN UNITS INCH	THIRD ANGLE PROJECTION		
		4 PLACES ± --- ± ---	3 PLACES ± --- ± .010	DRAWN BY GEP	DATE 1988/03/07	TITLE .093/(2.36) HOUSINGS, PLUG AND RECEPTACLE, 3 CKT., .248/(6.30) CTRS			
		2 PLACES ± 0.25 ± .014	1 PLACE ± 0.35 ± ---	CHECKED BY RW	DATE 1988/03/07	APPROVED BY RAS			
		ANGULAR ± 1 °		MATERIAL NO. SEE CHART		DOCUMENT NO. SD-1991-3*		SHEET NO. 2 OF 3	
DRAFT WHERE APPLICABLE MUST REMAIN WITHIN DIMENSIONS				THIS DRAWING CONTAINS INFORMATION THAT IS PROPRIETARY TO MOLEX INCORPORATED AND SHOULD NOT BE USED WITHOUT WRITTEN PERMISSION					

12 11 10 9 8 7 6 5 4 3 2 1

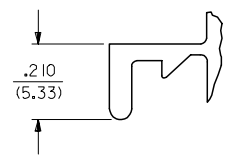
PLUG		
PART NO.	ENG. NO.	PKG. INFORMATION
I9-09-2031	I991-3P	PK-1991-001
I9-09-7031	I991-3PBK	PK-1991-001
I9-09-7032	I991-3PIBK	PK-1991-001
I9-09-2033	I991-3P4	OBS.
I9-09-2032	I991-3PI	PK-1991-002
I9-09-7034	I991-3PIOR	PK-1991-001

RECEPTACLE		
PART NO.	ENG. NO.	PKG. INFORMATION
I9-09-1032	I991-3R1	PK-1991-001
I9-09-6031	I991-3RBK	PK-1991-001
I9-09-6032	I991-3RIBK	PK-1991-001
I9-09-1030	I991-3R5	OBS.

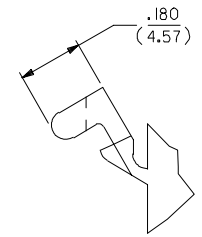
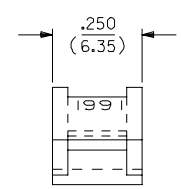
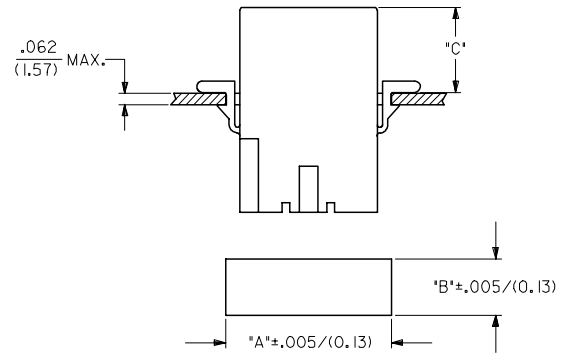
LEGEND:

1991-3****
 CIRCUIT SIZE
 P = PLUG
 R = RECEPTACLE
 BLANK = PLUG; WITH PREBENT EARS PER DETAIL 4
 1 = WITHOUT EARS
 4 = WITHOUT EARS, WITHOUT SQUARE ENDS PER DETAIL 1
 5 = RECEPT; WITH PREBENT EARS, PER DETAIL 4

COLOR: BLANK=NATURAL COLOR
 AM=AMBER BK=BLACK BU=BLUE
 BN=BROWN CY=GRAY GN=GREEN
 OR=ORANGE RD=RED YW=YELLOW



DETAIL 3
 STANDARD MOUNTING EAR
 (SCALE 4:1)



DETAIL 4
 PREBENT MOUNTING EAR
 (SCALE 4:1)

HOUSING	DIM. "A"	DIM. "B"	DIM. "C" STD. EARD	DIM. "C" PREBENT
PLUG	.1022/(25.96)	.365/(9.27)	.48/(12.2)	.52/(13.2)
RECEPTACLE	.920/(23.37)	.311/(7.90)	.47/(11.9)	.51/(12.9)

- NOTES:**
- MATERIAL: NYLON TYPE 6/6. 94V-2.
 - FINISH: NOT APPLICABLE
 - PRODUCT SPECIFICATION: PS-02-09
 - PACKAGING SPECIFICATION: SEE CHART
 - ACCEPTS MOLEX .093/(2.36) SERIES TERMINALS.
 - VERSION FOR USE WITH 2687 CONNECTOR.
 - PARTS CONFORM TO CLASS B REQUIREMENTS OF COSMETIC SPECIFICATION PS-45499-002.

ADD NOTES 2,3,4, & 7 EC NO: UCP2007-1498 DRW: AELHAG 2007/04/04 CHKD: AELHAG 2007/04/04 APPR: FSM TH 2007/04/04	QUALITY SYMBOLS ▽=0 ▽=0	GENERAL TOLERANCES (UNLESS SPECIFIED) mm INCH 4 PLACES ± --- ± --- 3 PLACES ± --- ± .010 2 PLACES ± 0.25 ± .014 1 PLACE ± 0.35 ± --- ANGULAR ± 1 °	DIMENSION STYLE IN/MM DRAWN BY DATE GEP 1988/03/07 CHECKED BY DATE RW 1988/03/07 APPROVED BY DATE RAS 1988/03/07	SCALE 2:1 DESIGN UNITS INCH THIRD ANGLE PROJECTION
		MATERIAL NO. SEE CHART	DOCUMENT NO. SD-1991-3*	SHEET NO. 3 OF 3

THIS DRAWING CONTAINS INFORMATION THAT IS PROPRIETARY TO MOLEX INCORPORATED AND SHOULD NOT BE USED WITHOUT WRITTEN PERMISSION